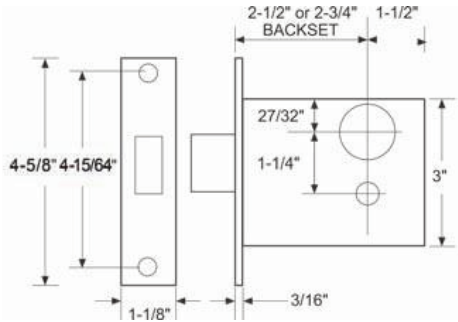


**A600 Series Mortise Deadbolt**  
Grade 1

**Specifications**

- 2-3/4"(70mm) Backset
- 1"(25.4mm) Stainless Steel Bolt with Hardened Roll Pin
- Faceplate 1-1/16"(27mm) x 4-5/8"(92mm)
- Strike 1-1/8"(28.6mm) x 3-1/8"(mm)
- Latch Face 1-1/8"(28.6mm) x 2-1/4"(75mm)
- Door Thickness 1-3/4"(70mm)
- Accepts Standard Mortise Cylinder
- Available in 605, 606, 610, 613, 626, 629, 630



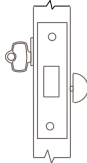
**A660 Single Cylinder**

**A661 Communicating**

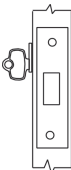
**A662 Double Cylinder**

**A663 Classroom**

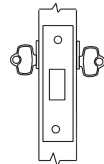
**A660 (E06071)** Single Cylinder Deadlatch  
 • Key From Outside Retracts or Projects Deadbolt  
 • Thumbturn From Inside Retracts or Projects Deadbolt



**A661 (E06081)** Communicating Deadlatch  
 • Key From Outside Retracts or Projects Deadbolt  
 • Blank From Inside



**A662 (E06061)** Double Cylinder Deadlatch  
 • Key From Either Side Retracts or Projects Deadbolt



**A663 (E06091)** Single Cylinder Classroom Deadbolt  
 • Key From Outside Retracts or Projects Deadbolt  
 • Thumbturn From Inside Retracts Deadbolt

